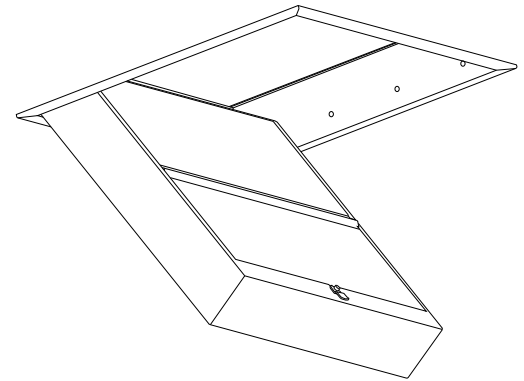
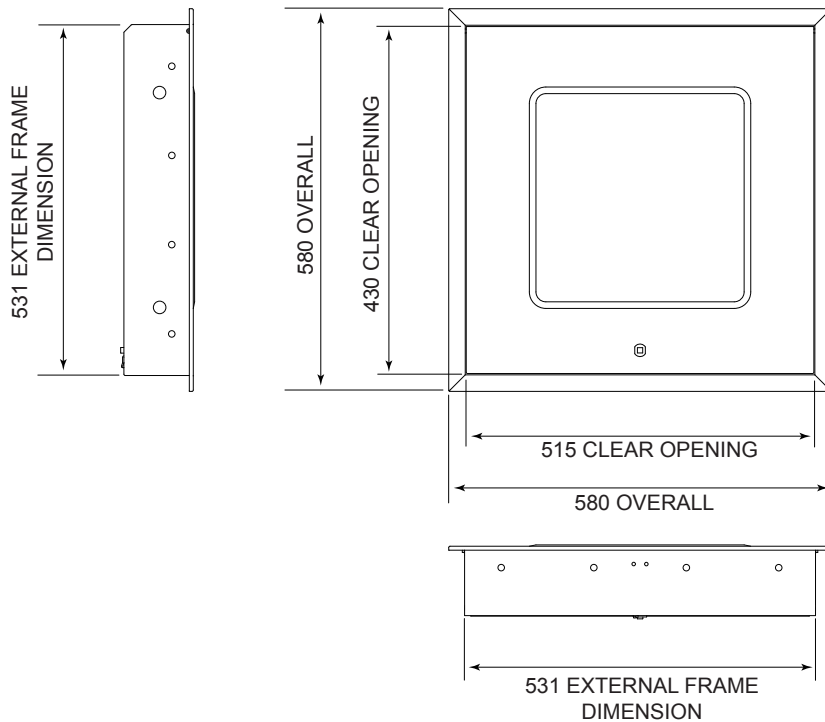


One Hour Fire Rated Drop Down Loft Access Door

CODE GL 270 F

CODE GL 271 F



Note: - GL 271 F INCLUDES A EURO KEY LOCK

Description:

The **GL 270 F** Drop Down One Hour Fire Rated Loft Access Door is designed to be flush fit to the ceiling and to fit between 600mm centre trusses. The modern design fits in with almost all house decor styles. Finished with a light texture, the door can be easily cleaned with a solvent free, damp cloth, or alternatively can be painted to match the surrounding decor.

Draught seals are located to all 4 sides of the door and seal to the frame complete with latch (euro lock GL 271 F) preventing the problem of moist, warm air entering the roof space.

The Fire Rated Loft Door (GL 270 F) comes with a budget lock and 'T' key as standard, or can be supplied with a euro lock (GL 271 F).

The product can be used in conjunction with Manthorpe's **GL 256** and **GL 257** (see Tech sheet 8187) Loft Access Ladder.

References:

BRE	Digest 262/270
BSI	BS5250
DOE	Building regs L1, L2
NHBC	Good practice guide
NHBC	Standards 7.7
BS	476 : Part 22

WRFC 157180

PACKING DETAILS	Individually Packaged in Cardboard Box.
MATERIAL	Zintec Electro Galvanised Mild Steel Finished in polyester Powder Coat (White)
BOX WEIGHT	8.5kg
SEAL	PVC Foam
INSULATION	Mineral Fibre

MANTHORPE BUILDING PRODUCTS LTD
MANTHORPE HOUSE
BRITTAIN DRIVE
CODNOR GATE BUSINESS PARK
RIPLEY
DERBYSHIRE DE5 3ND

TEL: 01773 514 200
FAX: 01773 514 262
EMAIL: sales@manthorpe.co.uk
WEB: www.manthorpe.co.uk

DRN M.R Date 04.10.06

The company maintains a policy of continuous development of its product range and reserves the right to amend the specification without notice.

DRG No

MBP 8201

Issue

G