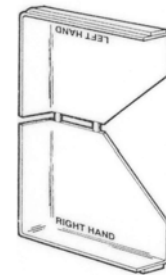
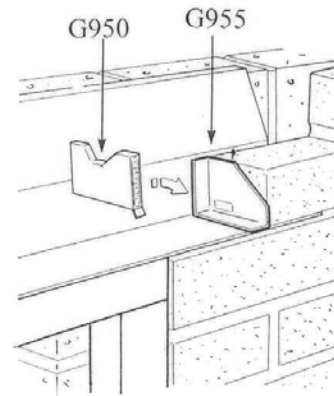
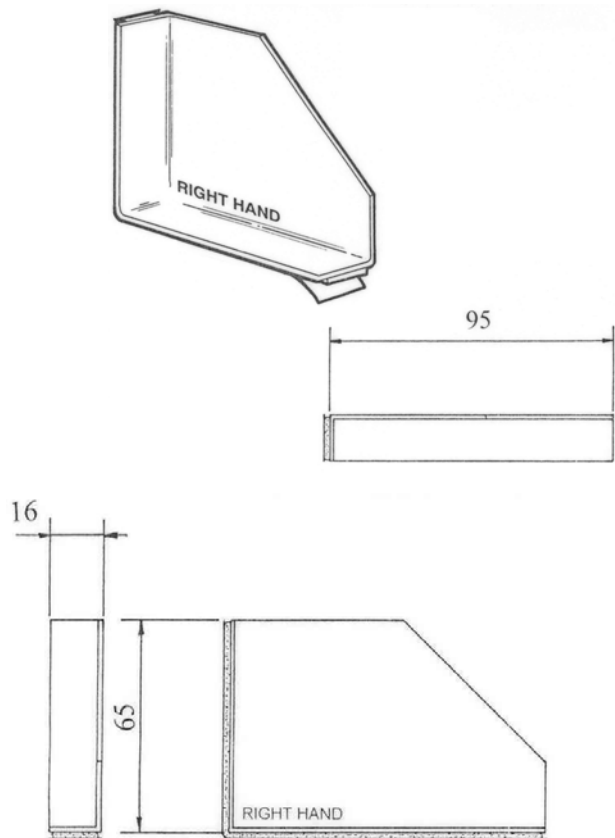


Lintel Stop Ends

CODE **G955**



Description:

The G955 Lintel Stop Ends are designed to prevent water spilling off the ends of lintels into the cavity below causing damage and expensive repairs. In line with current recommendations the G955 Lintel Stop Ends provide an economical and simple solution to this problem. Supplied in pairs for convenience on site the attached adhesive tape also ensures that a tightly bonded joint is achieved between the stop end and lintel.

COLOURS	Black
PACKING DETAILS	Packed in 25 pairs per cardboard box
WEIGHT	1kg per pack
MATERIAL	Polypropylene
MANUFACTURING PROCESS	Injection Moulded

Fitting Instructions:

The G955 Lintel Stop Ends can be used with all types of lintels. Having a 90 degree rear up stand, they should be located at the most convenient perp joint to the end of the lintel. Simply split the pair to create one left and one right hand stop end. Ensure the lintel is clean and dry, peel of the adhesive backing strip and press firmly into position ensuring a water tight seal is made as shown.

Water collected on the lintel should be allowed to escape through either a G950 Weep Vent or G951 Peep Weep spaced at no greater than 900mm centres but to meet N.H.B.C guidelines "weep holes are recommended to be sited at every 450mm maximum with at least two per opening above all windows and doors".

References:

BRE:	DIGEST 262/380
BSI:	BS5628
NHBC:	Standards 6.1

MANTHORPE BUILDING PRODUCTS LTD
MANTHORPE HOUSE
BRITAIN DRIVE
CODNOR GATE BUSINESS PARK
RIPLEY
DERBYSHIRE DE5 3ND

TEL: 01773 514 200
FAX: 01773 514 262
EMAIL: sales@manthorpe.co.uk
WEB: www.manthorpe.co.uk

DRN M.L.W.O

Date 01.08.03

DRG No

Issue

The company maintains a policy of continuous development of its product range and reserves the right to amend the specification without notice.

MBP 8061

A